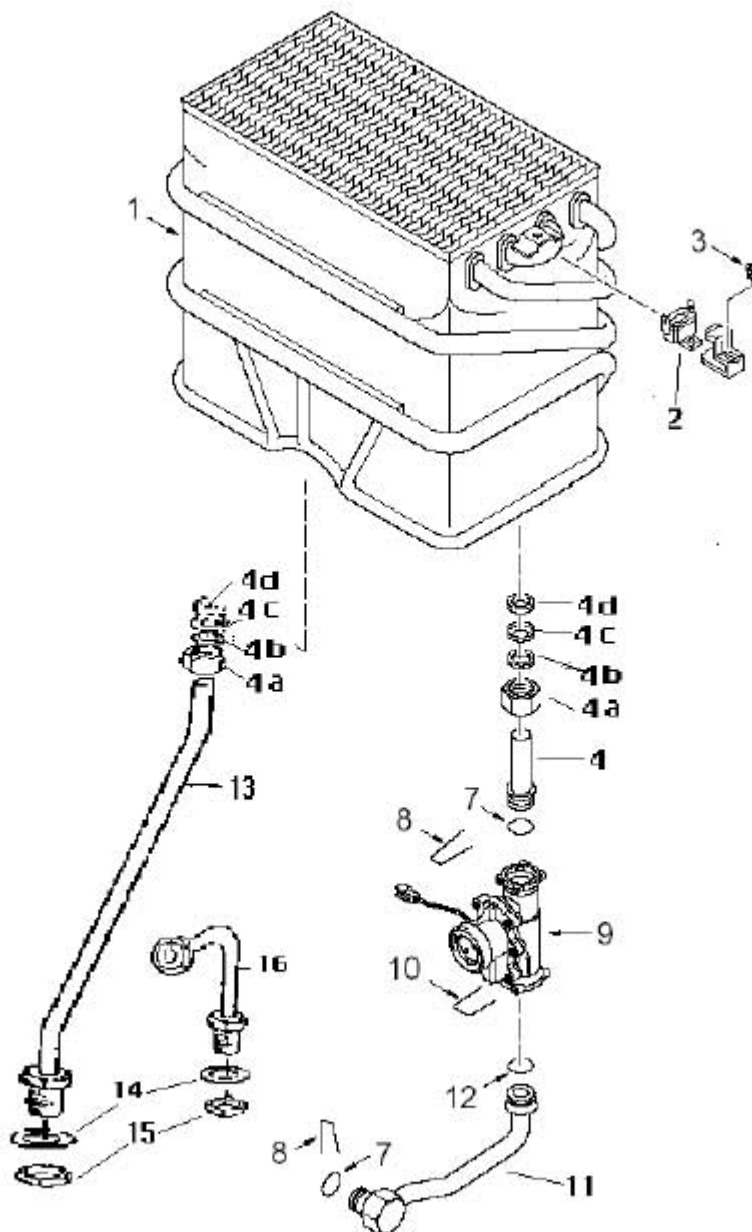
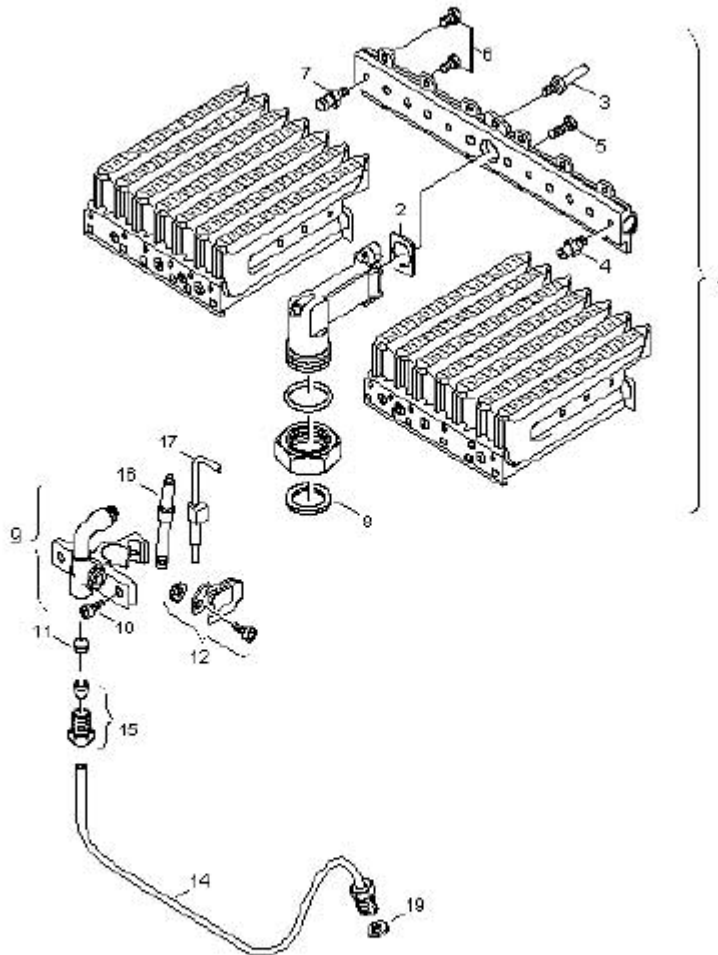


| Position | Part Number | Description | Comments |
|----------|----------------|-----------------------|----------|
| 1 | 8716487613 | Front Cover | |
| 2 | F005W10002.ZG1 | Rear Housing inc Flue | |
| 3 | 9708061023.ZG1 | Viewing Window | |
| 4 | 9708063416.ZG1 | Thumb Screw | |



| Position | Part Number | Description | Comments |
|----------|----------------|---------------------|--------------|
| 1 | 8705406379 | Heat Exchanger | |
| 2 | 8707206151.ZG1 | Temperature Limiter | Ceramic type |
| 2 | 8707206435 | Temperature Limiter | Clip on type |
| 3 | 2910951116.ZG1 | Screw | |
| 4 | 8700705972 | Connecting Pipe | |
| 4.1 | 8713301001.ZG1 | Nut | |

| | | | |
|-----|----------------|------------------|-----------------------|
| 4.2 | 8700100008.ZG1 | Flat Washer | |
| 4.2 | | | |
| 4.3 | 8700500004.ZG1 | Dished Washer | |
| 4.4 | 8700203004.ZG1 | Rubber Washer | |
| 7 | 8700205023 | O ring | |
| 8 | 8704705025 | Retaining Clip | |
| 9 | 8707406104 | Hydrogenerator | Previously 8707406058 |
| 10 | 8704705030 | Retaining Clip | |
| 11 | 8700705947 | Cold Water Pipe | |
| 12 | 8700205133 | O Ring | |
| 13 | 9708063394.ZG1 | Hot Water Pipe | |
| 14 | 9708061024.ZG1 | Nylon Washer | |
| 15 | 9903063009.ZG1 | Lock Nut Brass | |
| 16 | 9708063393.ZG1 | Cold Water Inlet | |

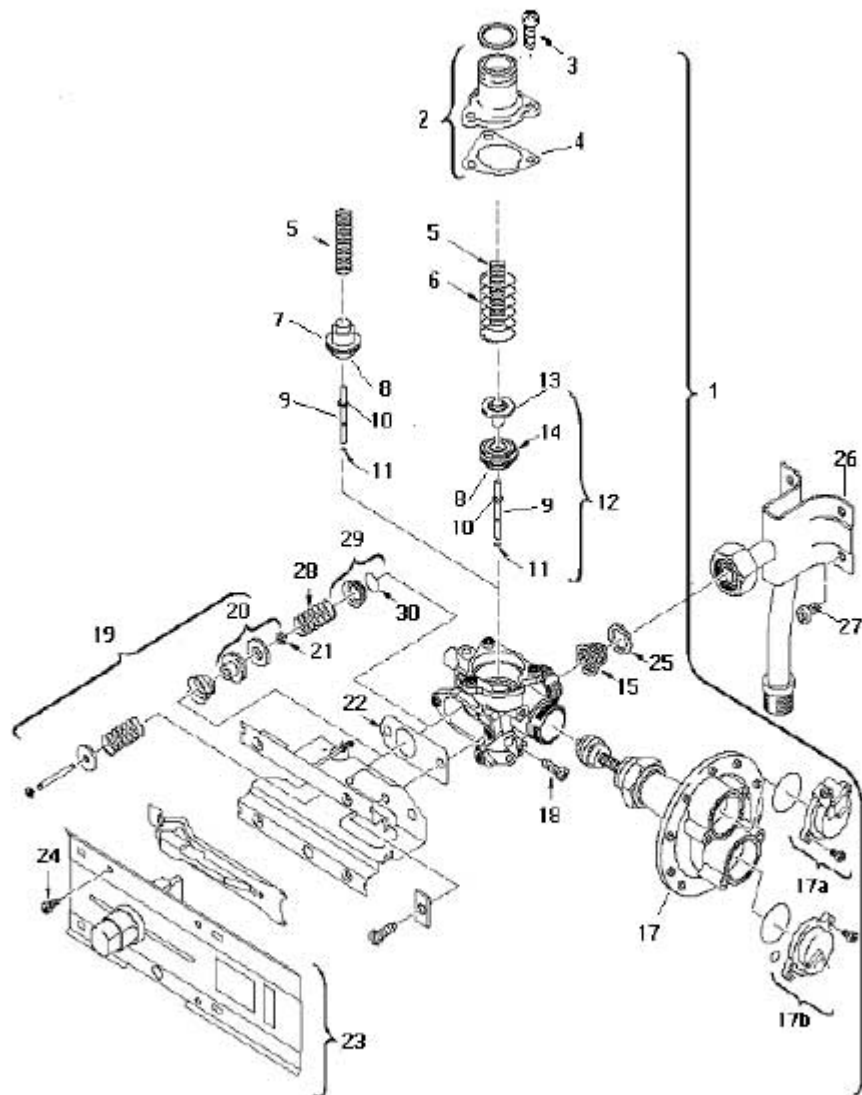


| Position | Part Number | Description | Comments |
|----------|--------------------|-----------------|----------------|
| 1 | 8708120057.ZG1 | Main Burner | NG |
| 1 | 8708120055.ZG1.ZG1 | Main Burner | LPG |
| 2 | 8701003010 | Manifold Washer | |
| 3 | | Screw | Part not known |
| 4 | 8708202124 | Injector | NG 1.2 mm |
| 4 | 8708202132 | Injector | LPG 0.75mm |

| | | | |
|----|----------------------------------|-----------------------|-----|
| 5 | 2910952122 | Screw | |
| 6 | 8703401069 | Screw | |
| 7 | 8703305191.0 | Test Point | |
| 8 | 8710103060.ZG1 | Burner Washer | |
| 9 | old 8708105640 new 8738708697 | Pilot Burner | NG |
| 9 | 8708105535 | Pilot Burner | LPG |
| 10 | 8703401053 | Screw | |
| 11 | 8708200002 | Pilot Injector (Spud) | NG |
| 11 | 8708200312 | Pilot Injector (Spud) | LPG |
| 12 | 8701309061.ZG1 | Clamp Assembly | |
| 14 | 8700707349 | Pilot Pipe | |
| 15 | 8703406008 | Nut | |
| 15 | 8703305192 | Olive | |
| 16 | 8708107006 | Electrode | |
| 17 | 8708107007 | Flame Rod | |
| 19 | 8700103173.ZG1 | Sealing Washer | |



BOSCH
Invented for life

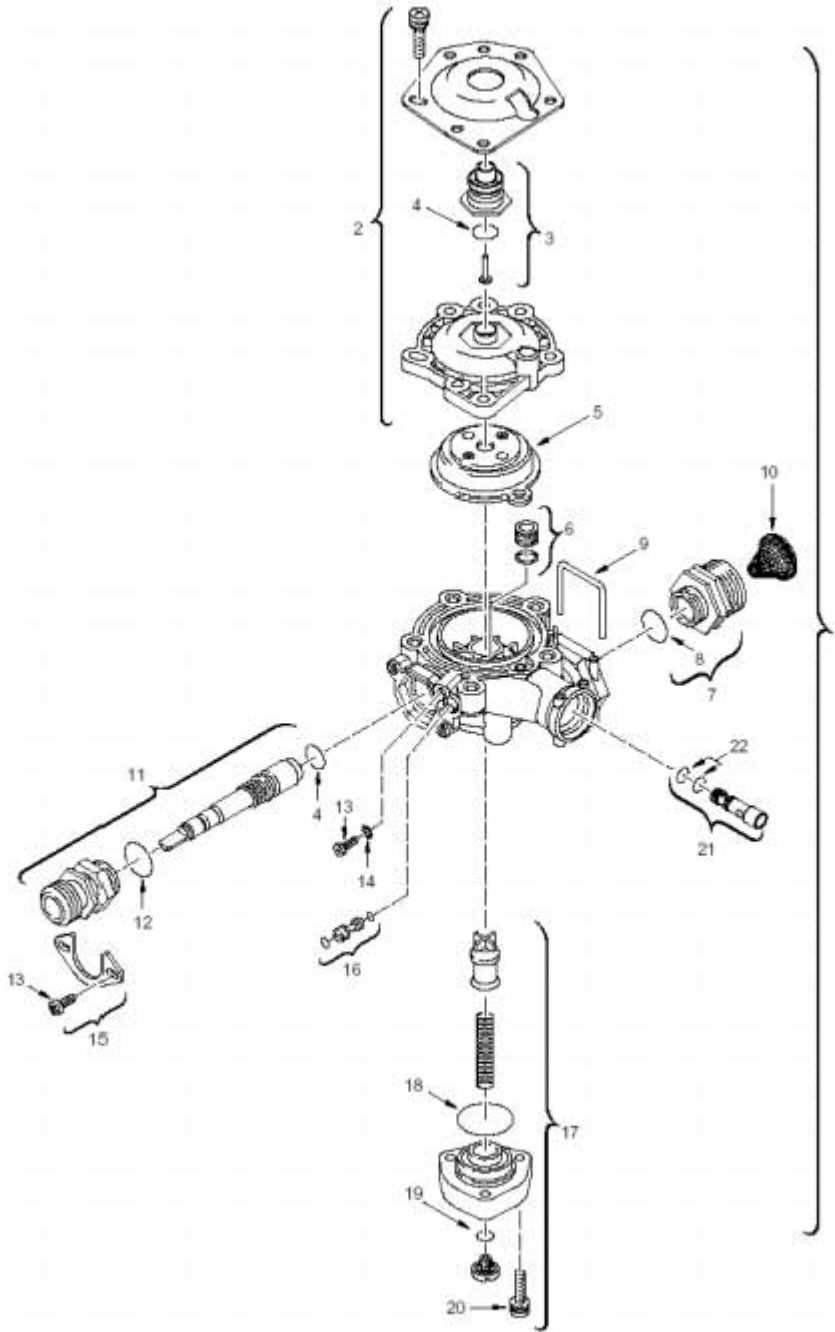


| Position | Part Number | Description | Comments |
|----------|---|--------------------|----------------|
| 1 | 8707011979 or 8707011671.ZG1 for NZ | Gas Valve | NG |
| 1 | 8707011199 | Gas Valve | LPG |
| 2 | | Throttle Housing | Part not known |
| 3 | 8743401002 | Screw | |
| 4 | 8701004001 | Gasket | |
| 5 | 8704603067 | Compression Spring | |
| 6 | 8704603118 | Compression Spring | LPG |
| 7 | 8708501255 | Poppet Valve | |

| | | | |
|------|----------------|-------------------------|----------------|
| 8 | | Valve Seal | Part not known |
| 9 | 8703101057 | Valve Stem | Part not known |
| 10 | | Retaining Ring | Part not known |
| 11 | 8740205002 | O ring | |
| 12 | 8708500246 | Poppet Valve | LPG |
| 13 | | Poppet Valve Head | Part not known |
| 14 | | Part not known | |
| 15 | 8700507002 | Gas Filter | |
| 17 | 8708504021 | Diaphragm Switch | NG |
| 17 | 8708504049 | Diaphragm Switch | LPG |
| 17.1 | 8708501249 | Pilot Solenoid | Orange |
| 17.2 | 8708501250 | Main Solenoid | Green |
| 18 | 8703401051.ZG1 | Screw | |
| 19 | 8708008009 | Valve Operation Housing | |
| 20 | 8708500239 | Poppet Valve Head | |
| 21 | 2916080904 | Retaining Ring | |
| 22 | 8701004020 | Gasket | |
| 23 | 8701000312 | Guide Plate | Part not known |
| 24 | | Screw | Part not known |
| 25 | 8700103014.ZG1 | Gas Inlet Washer | |
| 26 | 8700705508.ZG1 | Gas Pipe | NG |
| 26 | 8700705422.ZG1 | Gas Pipe | LPG |
| 27 | | Screw | Part not known |
| 28 | 8704603094 | Compression Spring | |
| 29 | 8708501232 | Poppet Valve Head | |
| 30 | 8700205087 | O ring | |



BOSCH
Invented for life

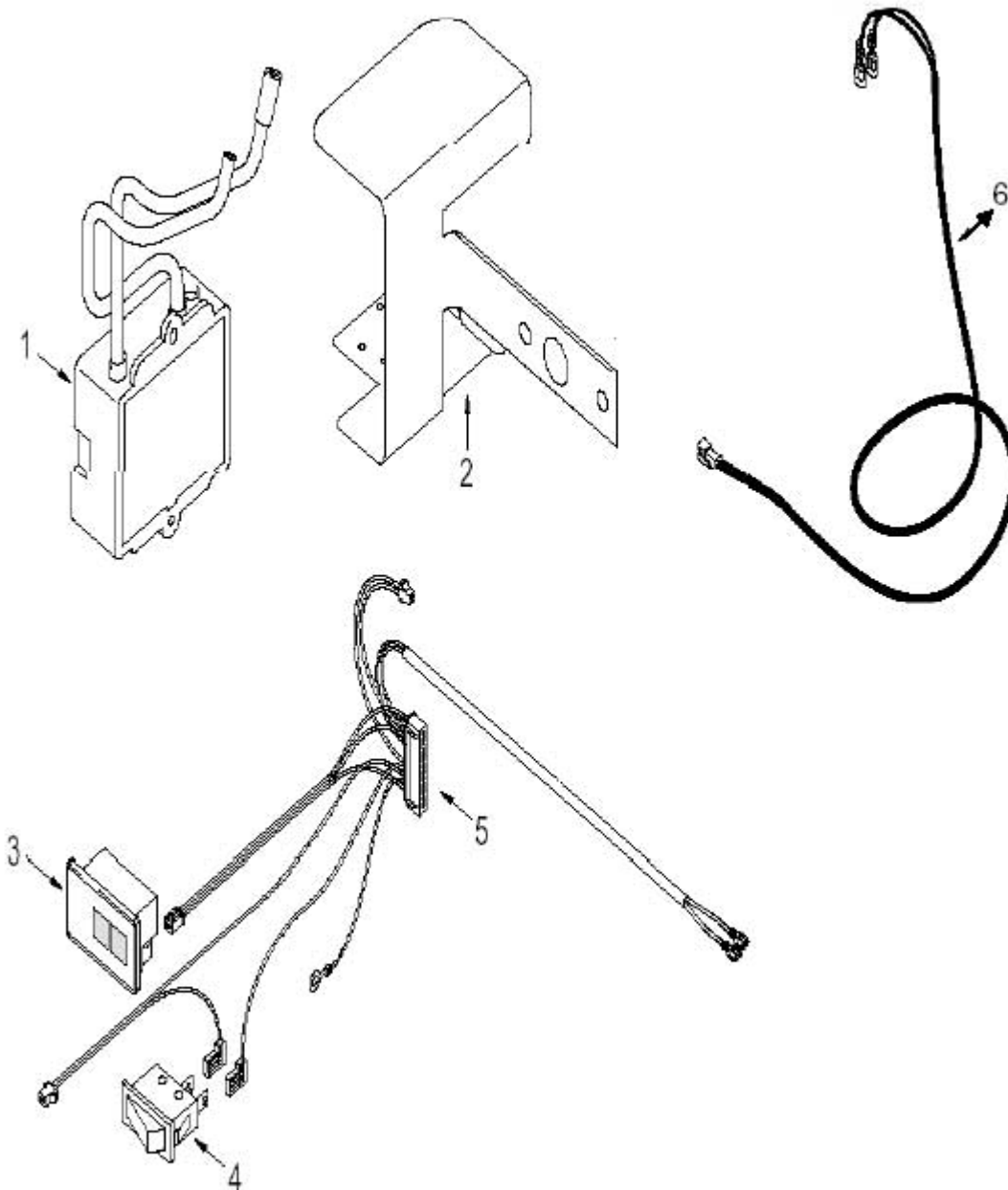


| Position | Part Number | Description | Comments |
|----------|-------------|-------------|----------------|
| 1 | 8707002704 | Water Valve | |
| 2 | 8705500101 | Cover | |
| 3 | 8700306114 | Sleeve | |
| 4 | 8710205007 | O ring | |
| 4 | 8710205007 | O ring | |
| 5 | 8700503051 | Diaphragm | |
| 6 | | Sleeve | Part not known |
| 7 | | Sleeve | Part not known |
| 8 | 8700205115 | O ring | |

| | | | |
|----|----------------|---------------------------|----------------|
| 9 | | Spring Wire | Part not known |
| 10 | 8700507001 | Water Filter | |
| 11 | 8708500289 | Selector Screw | |
| 12 | | O ring | |
| 13 | | Screw | Part not known |
| 14 | 2916079006 | Retaining Ring | |
| 15 | | Plate | Part not known |
| 16 | 8703502037 | Plunger | |
| 17 | 8705705027 | Volumetric Water Govenner | |
| 18 | 8700205107 | O Ring | |
| 19 | 8700205041.ZG1 | O ring | |
| 20 | | Screw | Part not known |
| 21 | 8708205279 | Venturi | |
| 22 | 8700205007 | O ring | |



BOSCH
Invented for life



| Position | Part Number | Description | Comments |
|----------|-------------|----------------------|----------------|
| 1 | 8707207192 | Ignition Unit | |
| 2 | | Fixing Bracket | Part not known |
| 3 | 8707305003 | Light Emitting Diode | |
| 4 | 8707200014 | Switch | |
| 5 | 8704404028 | Set of cables | |
| 6 | 8704404006 | Cable | Part not known |