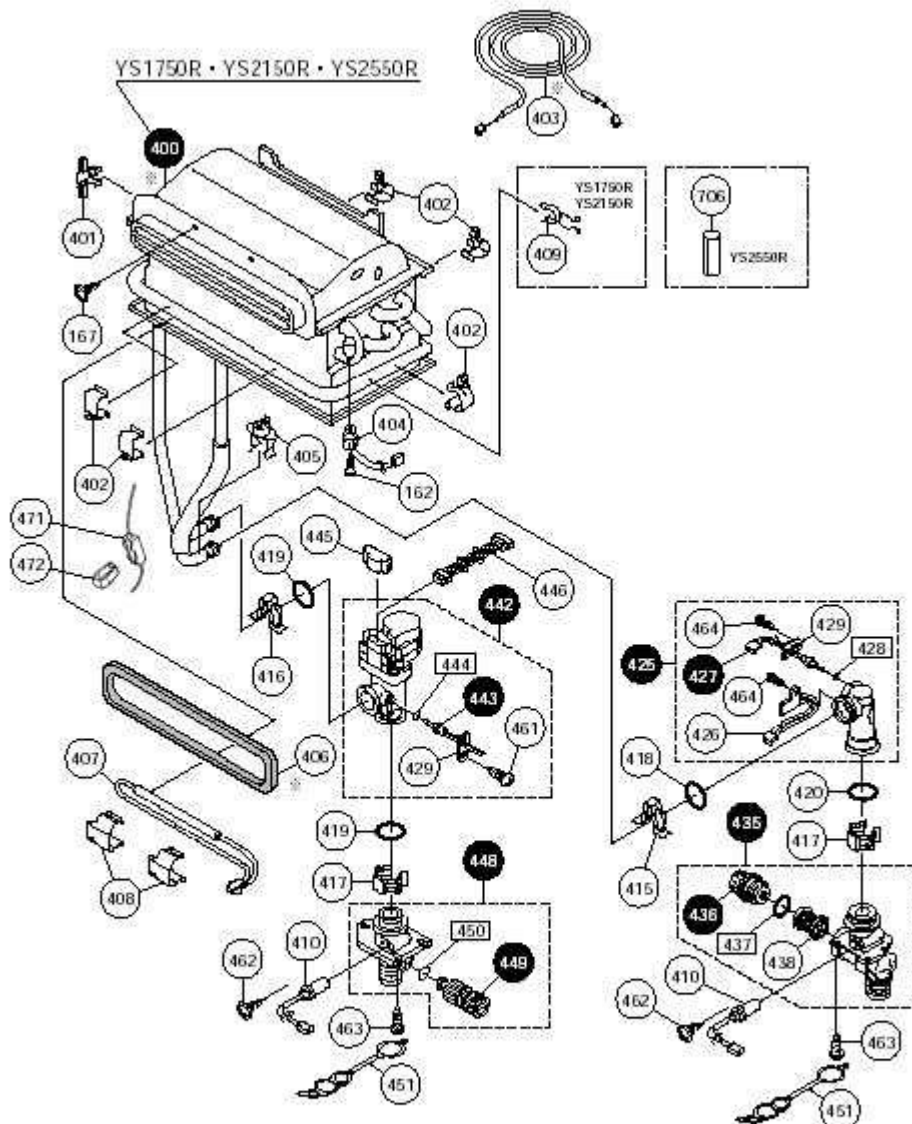


**BOSCH**

Invented for life

**Water Connected Parts**

※mark parts depend on the model number

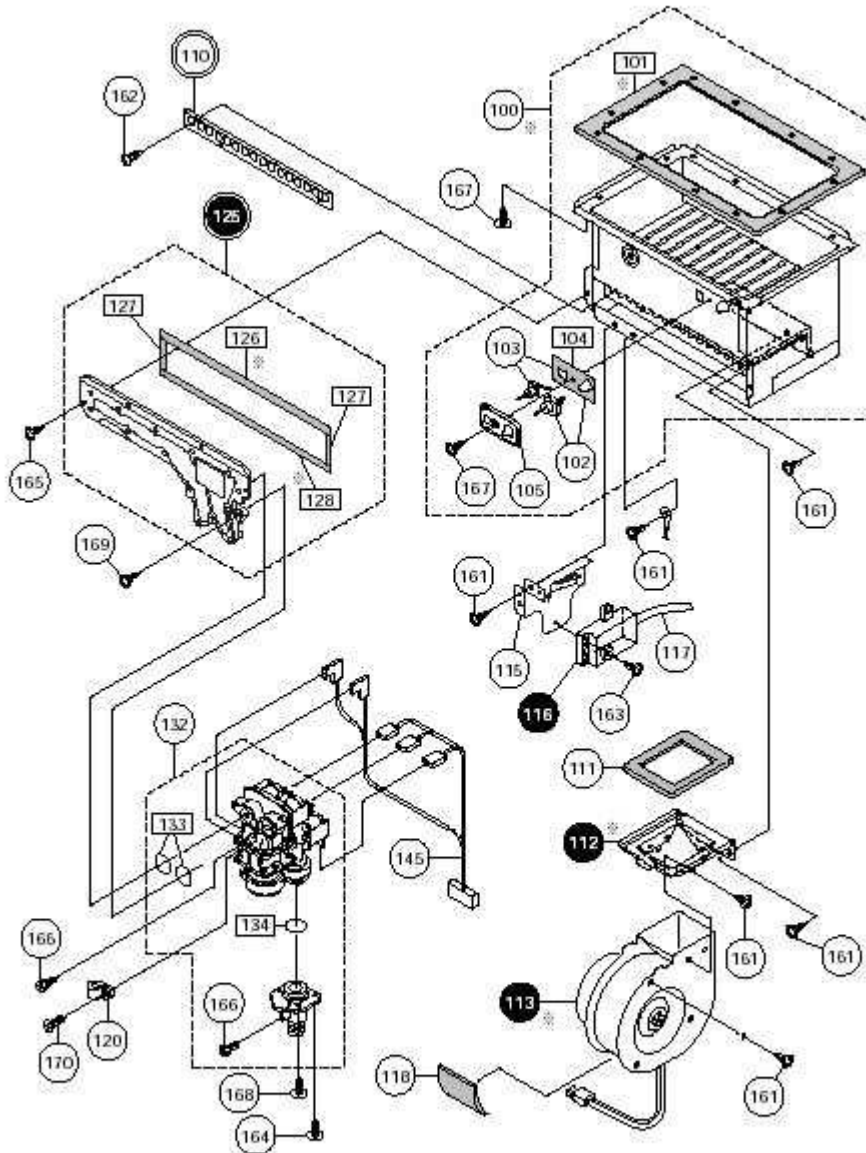
〈The parts of Outline Type Font number follow the contents of remarks〉

Position	Part Number	Description	Comments
400	YS0Q85400105	Heat Exchanger (S) 17E	
401	YS0Q8540101	Thermal Fuse Fastener CZL	
402	YS0Q8540209	Thermal Fuse Fastener DTJ	
403	YS0Q8540307	Thermal Fuse (S) DTX 17E	
404	YS0Q8540405	High-limit Switch (120)	
405	YS0Q8540503	Low-limit Switch	

406	YS0Q85406107	Front Top Packing DTX 17E	
407	YS1P510031	Anti-frost Heater (A)	
408	YS0Q8540807	Heater Fastenr CRP	
409	YS0Q8540905	Harness Clip HGK 17/21E	
410	YS0Q8541000	Anti-frost Heater (3)	
415	YS0Q8541500	Quick Fastener (13-22)	
416	YS0Q8541608	Quick Fastener (16-25)	
417	YS0Q8541706	Quick Fastenr (16A)	
418	YS0Q8541804	O-ring (P12.5)	
419	YS0Q8541902	O-ring (P16C)	
420	YS0Q8542007	O-ring (P16)	
425	YS0Q8542507	WATER FLOW RATE SENSOR (S)	
426	YS0Q8542605	Magnetic Sensor	
427	YS0Q8542703	INLET-WATER THERMISTOR	
428	YS0Q8542801	O-ring (P4)	
429	YS0Q8542909	Thermistor Fixing Plate	
435	YS0P8543505	WATER INLET (S) (20A)	
436	YS0Q8543602	WATER FILTER LID	
437	YS0Q8543700	O-ring (16DF)	
438	DTJD005	Water Filter	
442	YS0Q8544207	WATER VOLUME SERVO (S)	
443	YS0Q8544305	OUTLET-WATER THERMISTOR	
444	YS0Q8544403	O-ring (P4C)	
445	YS0Q8544501	Drip-proof Cover CZL	
446	YS0Q8544609	Harness 86	
448	YS0P8544806	WATER OUTLET (S) (20A)	
449	YS0Q8544903	RELIEF VALVE (S)	
450	YS0Q8545008	O-ring (P9)	
451	YM0A8545205	Drain Plug Band (20A)	
461	SAC6300NR	Screw 4x14	
462	SAA6721NR	Screw 4x6	
463	SAD6453NR	Screw (with flange) 4x6	
464	SAA6171NR	Screw 4x14	
471	YS1P510040	Anti-frost Heater (B)	
472	S6X510487	Anti-frost Heater Fixing Spring (1)	

**BOSCH**

Invented for life

**Combustion & Gas Parts**

※mark parts depend on the model number

⊙mark parts depend on gas type.

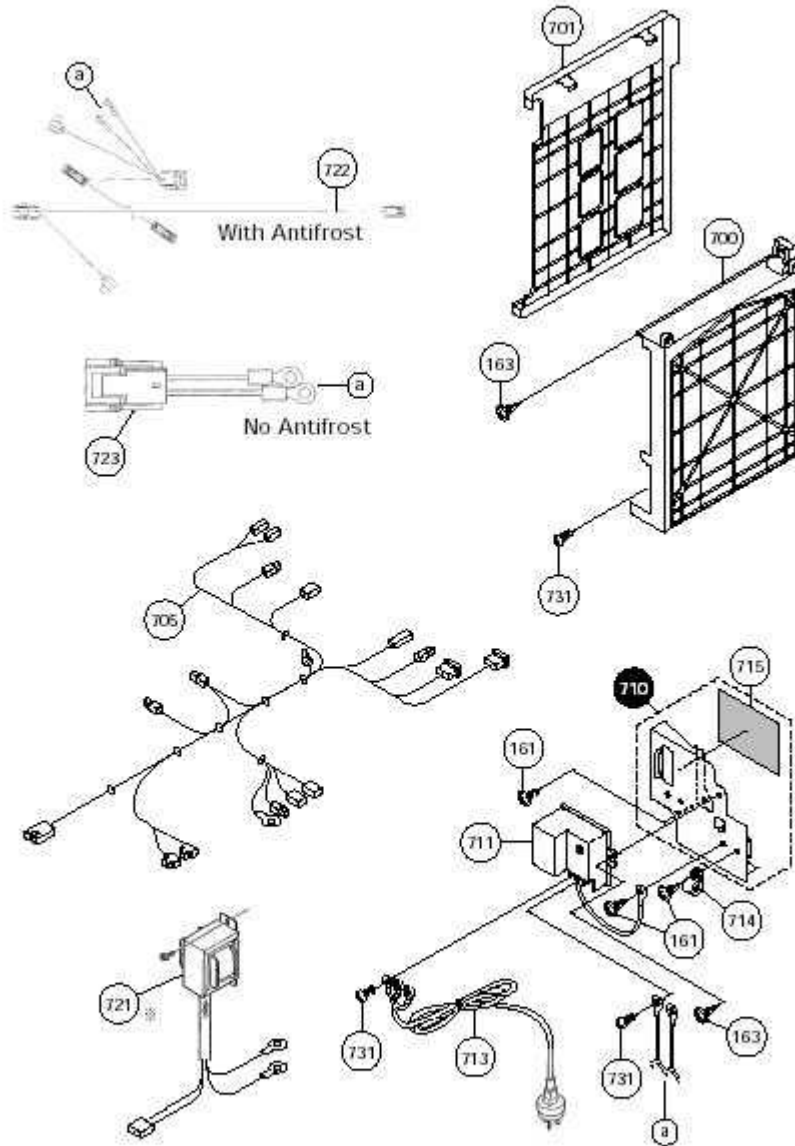
〈The parts of Outline Type Font number follow the contents of remarks〉

Position	Part Number	Description	Comments
100	YS0Q8510008	Combustion Chamber (S) DTX 17E	
101	YS0Q8510106	Air-intake connection Packing DTX 17E	
102	YS0Q8510204	Ignition Plug (S)	
103	YS0Q8510302	Flame Rod (S)	
104	YS0Q8510400	Plug Packing	

105	YS0Q8510508	Plug Fixing Plate	
110	YS0Q85110101	Main Damper (Q11) CRU 17E	
111	YS0Q8511103	Fan Packing Q DTJ 17/21E	
112	YS0Q85112105	FAN FLANGE DTX	
112	YS0Q85112203	FAN FLANGE DTJ	
113	YS0Q85113102	FAN (S) DTX	
113	YS0S8511305	FAN (S) DSS	
113	YS0Q85113200	FAN (S) DTJ	
115	YS0Q8511505	Ignitor Fixing Plate	
116	S9T56020A04	IGNITOR	
117	YS0Q8511701	High-tension Code (L350)	
118	YS0Q8511809	Protection Packing DTJ 17/21/25	
120	YS0Q8512002	Nylon Clamp	
125	YS0Q85125101	BURNER MANIFOLD (S) 17E NG	
125	YS0Q85125209	BURNER MANIFOLD (S) 17E LPG	
126	YS0Q8512600	Manifold Seal Packing Upper DTX 17E	
127	YS0Q8512708	Manifold Seal Packing Side DTJ	
128	YS0Q8512806	Manifold Seal Packing Lower DTX 17E	
132	YS1P8500806	GAS VALVE (S) 3/4	
133	YS0Q8513303	O-ring (P18)	
134	YS0Q8513401	O-ring (P28)	
145	YS0Q8514506	Harness R10 DTJ	
161	SAD6181NR	Screw (with flange) 4x8	
162	6347606NR	Screw 4x8	
163	SAD6183NR	Screw (with flange) 4x12	
164	6313400NR	Screw (with PW) M4x12	
165	SAB6001NR	Screw 5x16	
166	SAC6082NR	Screw M4x8	
167	SAD6182NR	Screw (with flange) 4x10	
168	SAD6223NR	Screw M5x12	
169	SAD6467NR	Screw (with guide) M4x14	
170	SAD6476NR	Screw M4x8 S430	

**BOSCH**

Invented for life

**Electronic Parts**

※mark parts depend on the model number  
<The parts of Outline Type Font number follow the contents of remarks>

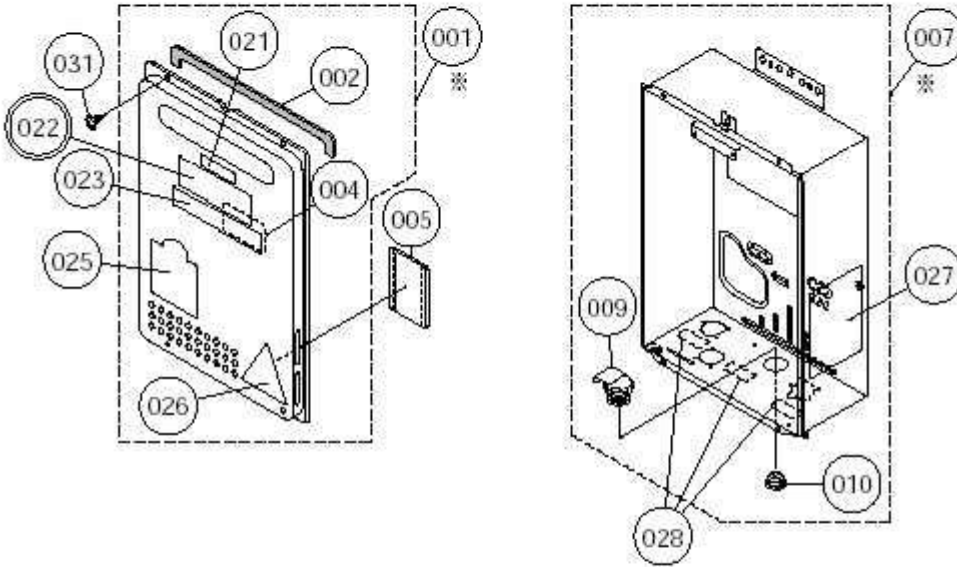
Position	Part Number	Description	Comments
163	SAD6183NR	Screw (with flange) 4x12	
700	YS1P8500306	PRINTED CIRCUIT BOARD (S)	
700	YS1P8500306	PRINTED CIRCUIT BOARD (S)	
701	YS0Q8570106	PCB Lid	
705	DXJJ001NR	Harness 1	

705	DXJJ001NR	Harness 1	
706	DTJL008	Heat-insulation Packing	
710	YS0Q8571005	EARTH LEAKAGE BREAKER FIXING (S)	
711	EGHJ031	Earth Leakage Breaker	
712	YS0Q8571201	Harness (M92-350)	
713	EJXJ017	Power Cable	
714	YS0Q8571407	Nylon Clamp HP5N	
715	YS0Q8571505	Drip-proof Cover DTJ	
721	YS1P5100521	Transformer 230V (NZ ver)	
721	YS1P5100512	Transformer 240V (Aus ver)	
722	YS1P510086	Power Relay Harness (anti-frost)	
723	YS1P510095	Power Relay Harness (no anti- frost)	
731	SAC6564NR	Screw M3.5x6	



**BOSCH**  
Invented for life

## External Parts



※mark parts depend on the model number  
 ○mark parts depend on gas type.

Position	Part Number	Description	Comments
1	YS1P8500100	FRONT COVER (S) 17E	
2	YS0Q8500209	Front Packing	
4	YS0Q8500405	Plug Insulating Sheet 17E	
5	YS1P1800106	Wiring Diagram (S)	
7	YS1P8500208	REAR CASE (S)	
9	YS0Q8500905	Wiring Connection	
10	YS0Q8501000	Cap	
21	S8A140457	Hot-surface Label	

22	S7O1B05200	Gas Label LPG	
22	S7O1B05102	Gas Label NG	
23	YS1P180098	Front Cover Label 17E	
25	YS1P180089	Energy Label 17E	
26	YS1P180123	50degree Label	
27	YS1P1801103	Caution Label	
28	S8A140528	Gas/Inlet/Outlet Label	
31	SAB6510NR	Front Cover Screw 4x12	