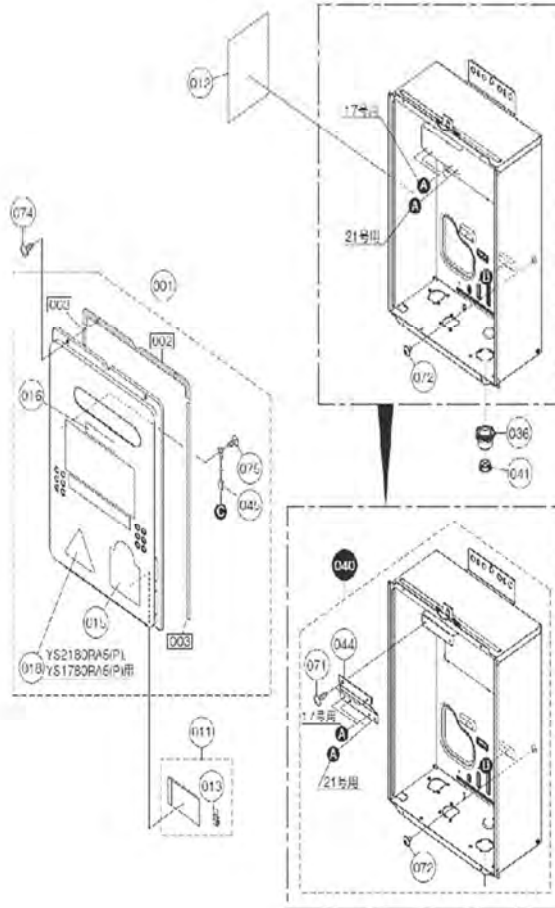


Drawings

- Cover
- Burner Section
- Water Section
- Electronics

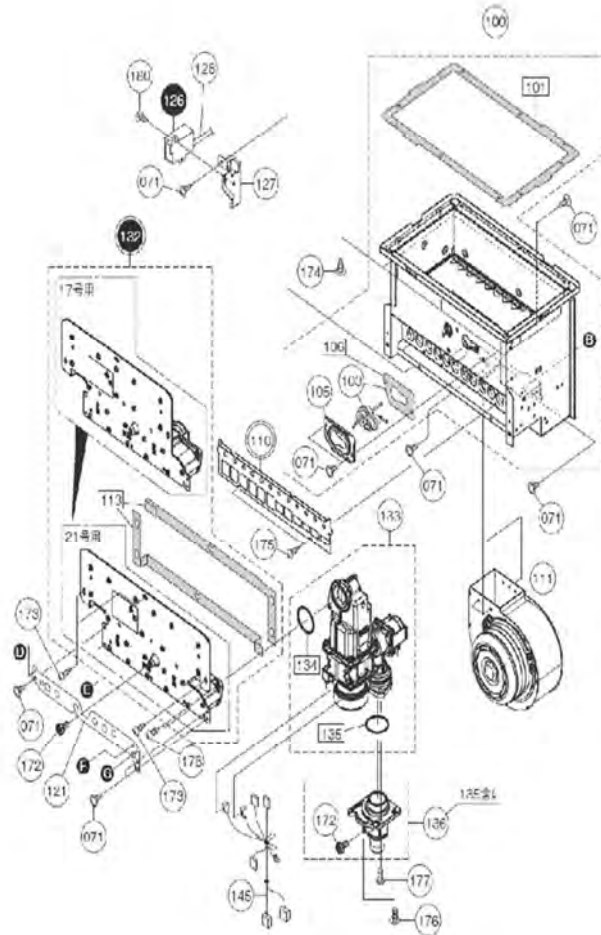


Cover

Part	Article #	Description	Comment
001	SKJ717A	YS2180RA FRONT COVER (S)	YS2180RA
001	SKJ717B	YS2180RA5 FRONT COVER (S)	YS2180RA5
001	SKJ717C	YS2180RAP FRONT COVER (S)	YS2180RAP
001	SKJ717D	YS2180RA5P FRONT COVER (S)	YS2180RA5P
002	EAL002	GASKET - FRONT COVER TOP AND BOTTOM EAA	
003	EWBL001	FRONT PACKING1 EAA	
011	EXNK004	CONNECTION DIAGRAM LABEL SET EXN	no longer in production
012	EMFK009	CAUTION LABEL BOSCH EGH	no longer in production
013	DTJJ021	HEATING LEVEL CHANGE CONNECTOR 42?DTJ	
016	EGHK009	HOT-SURFACE LABEL	
018	EREK006	50? LABEL ERE	YS2180RA5(P)
036	EQMA055	WIRING COUPLING EQM	
040	SKJ70RK	PIPE HOLDER EWB	
041	CXPA026	GROMMET	
044	EWBA008	MOUNTING PLATE-HEAT EXCHANGER EWB	
045	EGHJ028	GROUND CORD B EGH	

Drawings

- Cover
- Burner Section**
- Water Section
- Electronics


Burner Section

Part	Article #	Description	Comment
100	SKJ70FU	COMBUSTION CHAMBER SET EVH SET-V	YS2180RA.RA5.RAP.RA5P
101	EVHL002	AIR-INTAKE JOINT PACKIN EVH	YS2180RA.RA5.RAP.RA5P
103	SKH7391	IGNITION PLUG EUL SET-V	
105	EULC022	PLUG FIXING PLATE EUL	
106	EULL003	PLUG PACKIN EUL	
110	EVHC082	MAIN DAMPER 12-2 EVH	YS2180RA(5)LP?YS2180RA(5)PLP
110	EVHC086	MAIN DAMPER 12-6 EVH	YS2180RA(5)NG?YS2180RA(5)PNG
111	SKJ70QV	FAN MOTOR DSS SET-AS	
113	EVHL012	MANIFOLD CONNECTION PACKING EVH	YS2180RA.RA5.RAP.RA5P
121	EVT A004	MOUNTING PLATE FOR GROUND HARNESS EVT	
126	ERDJ112	IGNITER ERD-A	
127	EVHA016	MOUNTING PLATE - IGNITER EVH	
128	ALSJ072	HIGH-VOLTAGE CORD L420 ALS	YS2180RA.RA5.RAP.RA5P
132	SKJ70FK	MANIFOLD 09-14 EVH SET-AS	YS2180RA(5)LP?YS2180RA(5)PLP
132	SKJ71JU	BURNER MANIFOLD S12-20 EVH SET-AS	YS2180RA(5)NG?YS2180RA(5)PNG
133	SKJ70NE	GAS MECH S16D EWB SET-V	
134	SAA6044	O-RING JASO 2030 TYPE1	
135	1648306	O-RING - GAS VALVE BOTTOM	
136	SKJ70WB	GAS FITTING 20A SET DTJ	
145	EVHJ016	CONDUIT R10 EVH	
172	SAC6082	SCREW - INLET AND MANIFOLD GAS M4X8	



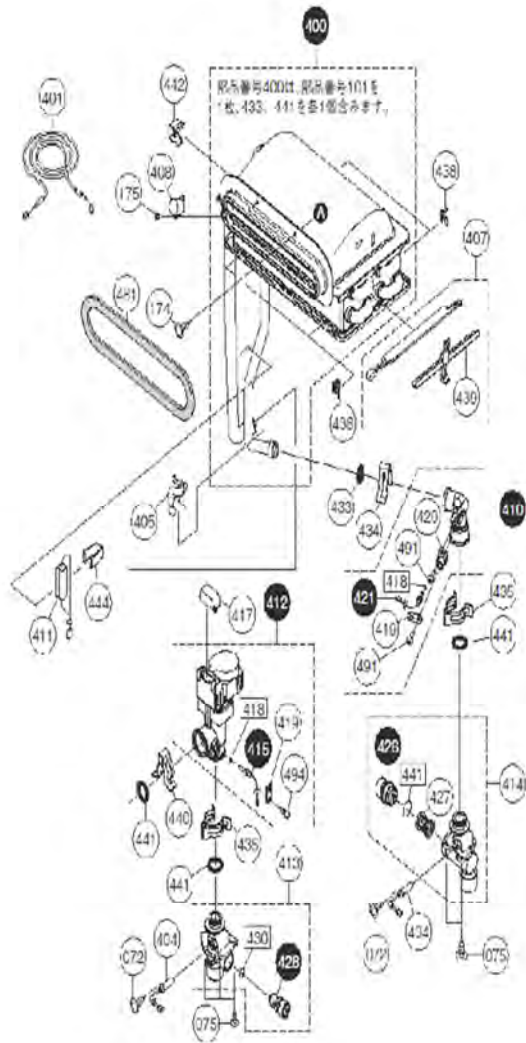
BOSCH

Hot Water & Heating



Drawings

- Cover
- Burner Section
- Water Section
- Electronics

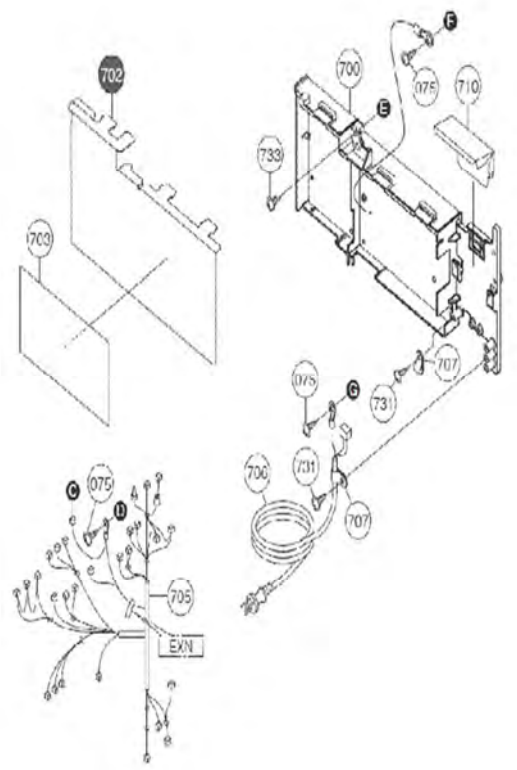


Water Section

Part	Article #	Description	Comment
400	SKJ7173	HEAT EXCHANGER & EXHAUST BOX EWB	YS2180RA R45 RAP R45P
401	EVHJ010	THERMAL FUSE EVH	
404	BGDH002	FREEZE PREVENTIVE HEATER 3 BGD	
405	DJPH003	THERMOSTAT SET DJP	
407	SKJ710N	FREEZE PREVENTIVE HEATER QEGH-EVH SET-V	
408	DJPH002	REMAINING FLAME SAFETY DEVICE 120 DJP	
410	EBTD041	WATER FLOW SENSOR (SET)	
411	EGHH002	FREEZE PREVENTIVE HEATER 2 EGH	
412	JDWD051	WATER FLOW SERVO SET JDW-A	
413	DTJD011	WATER OUTLET 20A SET DTJ	
414	DTJD003	WATER INLET 20A SET DTJ	
415	BWCD096	THERMISTOR - HOT WATER	
417	EBTD023	WIRE COVER - SERVO	
418	1323709	O-RING - THERMISTOR HIGH TEMP P4	
419	ALSD088	THERMISTOR HOLDING PLATE	
420	BWCD090	MAGNETIC SENSOR - FLOW SENSOR	
421	BWCD097	THERMISTOR - COLD WATER	
426	DTJD006	WATER FILTER CAP	
427	DTJD005	WATER FILTER DTJ	
428	SAA2811	SAFETY RELIEF VALVE	
430	SAD6635	O-RING - HIGH TEMP P9	
433	3359808	O-RING - HIGH TEMP P12.5	
434	SAD6537	"C" CLAMP - WATER PIPE 13-22"	
435	6340300	"C" CLAMP - WATER PIPE 16A"	
438	EVHH004	CLAMP - THERMAL FUSE EVH	
439	EVHH001	HEATER FASTENER EVH	
440	SAD6593	"C" CLAMP - WATER PIPE 16-25"	
441	3223302	O-RING - HIGH TEMP P16	
442	CMNH003	CLAMP - THERMAL FUSE CMN	
444	AMML001	CLAMP - FREEZE PREVENTION AMM	
481	DJPL007	GASKET - EXHAUST (OD)	YS2180RA R45 RAP R45P

Drawings

- Cover
- Burner Section
- Water Section
- Electronics



Electronics

Part	Article #	Description	Comment
700	SHC70BK	PRINTED CIRCUIT BOARD RA5 EVT-A SET-AS	YS2180RA5(P)
700	SHC70BL	PRINTED CIRCUIT BOARD RA EVT-A SET-AS	YS2180RA(P)
702	EVHA015	PCB CASE COVER EVH	
703	EVTK007	CONTROLLER COVER LABEL EVT	
705	EXNJ011	HARNESS EXN	
706	EVTJ016	POWER SUPPLY CORD EVT	
707	7287909	WIRE CLAMP - NYLON	
710	EVTA011	POWER SUPPLY CORD COVER EVT	